

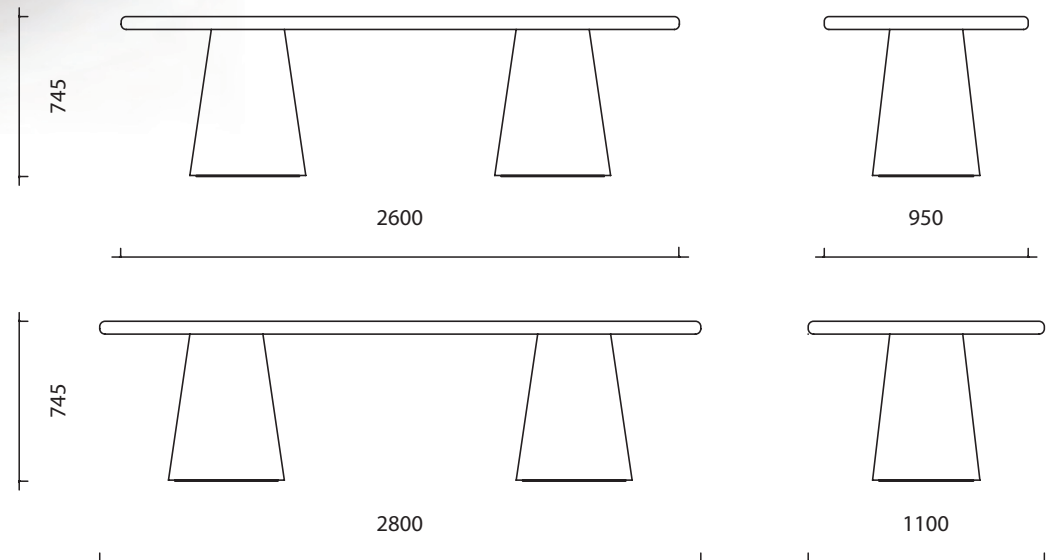
# Break In The Clouds

Corian 2600 / 2800



Table  
260W X 95D X 74.5H    280W X 110D X 74.5H

Corian



Unit F2, The Imperial Laundry  
71 Warriner Gardens  
London SW11 4XW  
tel: +44(0) 207 627 4282  
fax: +44(0) 207 627 2940  
www.se-london.com  
enquiries@se-london.com

The diagrams are shown in millimetres.  
*Les dimensions sont exprimées en millimètres.*